

K A C O



new energy.

Welcome to KACO new energy

Finest Inverters for PV and Power Management



Highlights

blueplanet 3.0 - 5.0 NX1 M2

Flexible

- 2 MPPT,
1 string per MPPT
- Wide DC voltage window,
min. 80 V , max. 580 V

User-friendly

- Quick WiFi setup
- Plug & Play
- Smart monitoring via APP

Safe

- IP65 rating for outdoor use
- Integrated DC switch
- International standards

Convenient

- Lightweight @ 11 kg
- Only basic tools needed
- SUNCLIX connectors
- No need to open lid

Economical

- Max. efficiency 97.50 %
- Almost noiseless < 25 db (A)
- Convection cooling
- Self consumption < 1 W



Product variants

blueplanet 3.0 - 5.0 NX1 M2

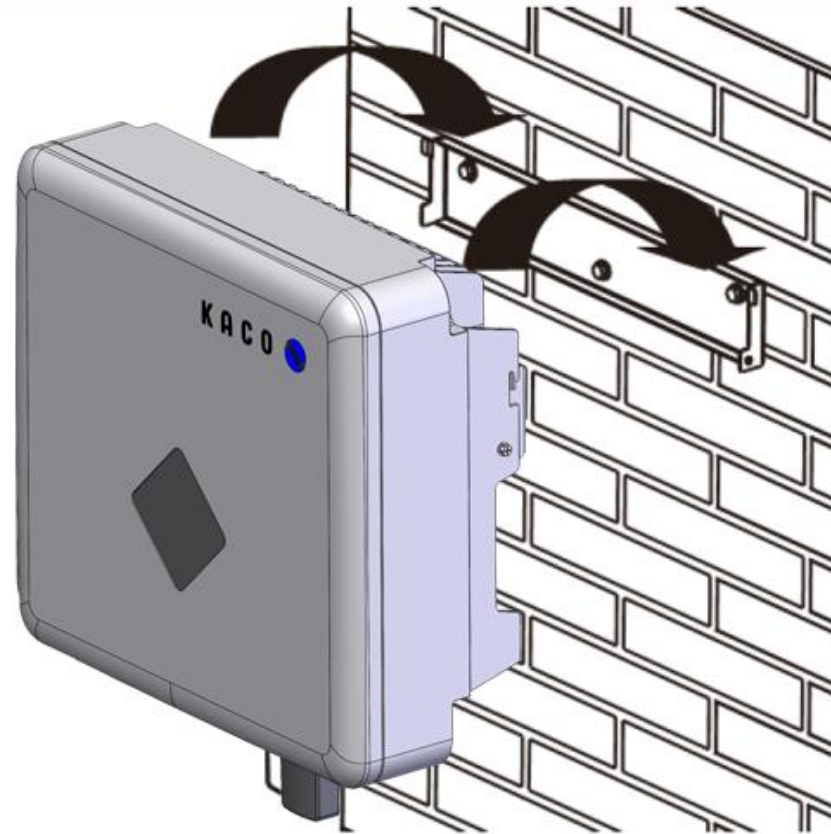
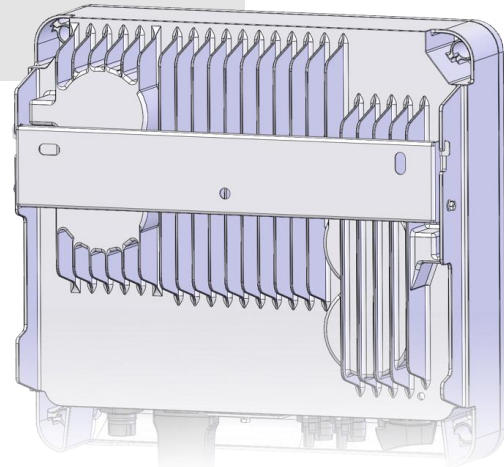


Variants	blueplanet 3.0 NX1 M2	blueplanet 3.7 NX1 M2	blueplanet 4.0 NX1 M2	blueplanet 5.0 NX1 M2
Max. recom. DC power	4500 W	5520 W	6000 W	7500 W
MPP range	140 – 480 V	165 – 480 V	180 – 480 V	220 – 480 V
MPP trackers	2			
Max. DC no load voltage	580 V			
AC output power	3000 W	3680 W	4000 W	5000 W
Line voltage	230 V (1 / N / PE)			
Frequency	50 Hz / 60 Hz			
Max. efficiency	97.50 %			
Communication	WiFi			

Mounting and installation

blueplanet 3.0 - 5.0 NX1 M2

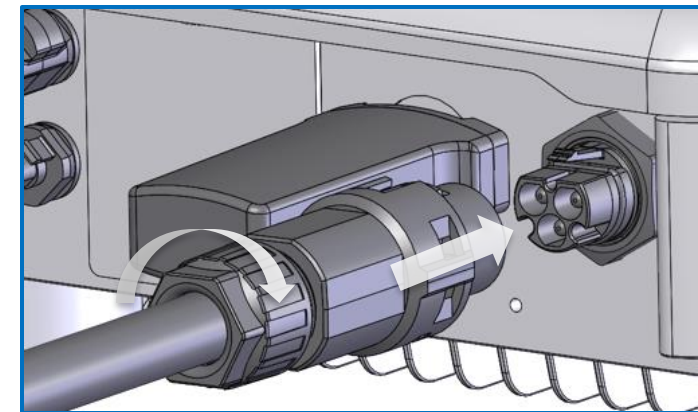
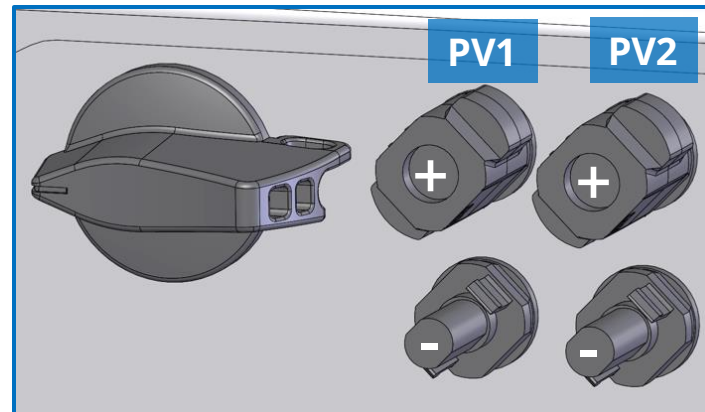
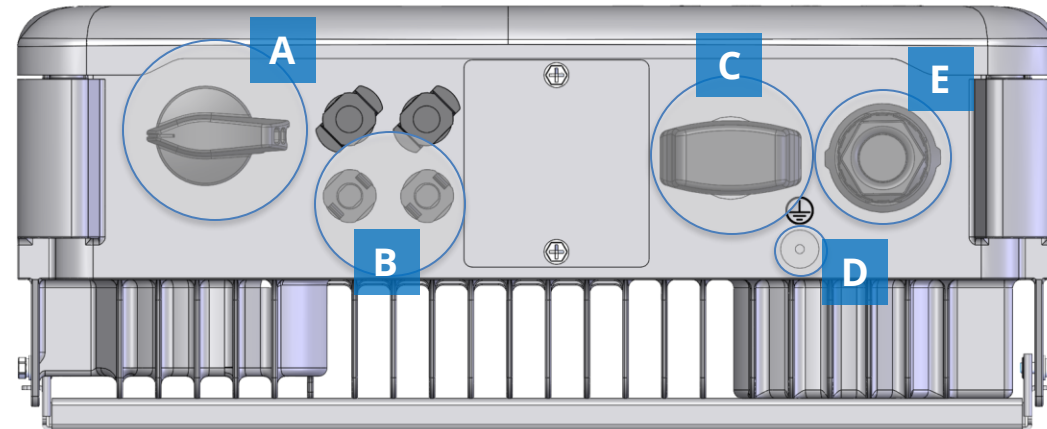
- Simple installation
- W/H/D: 376 x 355 x 145 mm
- Lightweight @ 11 kg
- Wall mounting bracket included
- Plug in AC connector



Plug & play connections

blueplanet 3.0 - 5.0 NX1 M2

- Integrated DC isolator switch (A)
- DC connector for PV generator (B)
- WiFi stick connection (C)
- Housing grounding (D)
- AC connection socket (E)



Communication

blueplanet 3.0 - 5.0 NX1 M2

Configuration

- Via easy-to-use installation APP
- APP works in local mode with WiFi stick

Monitoring

- Via blueplanetweb public portal and APP
- Via WiFi
- WiFi stick provided as standard with inverter

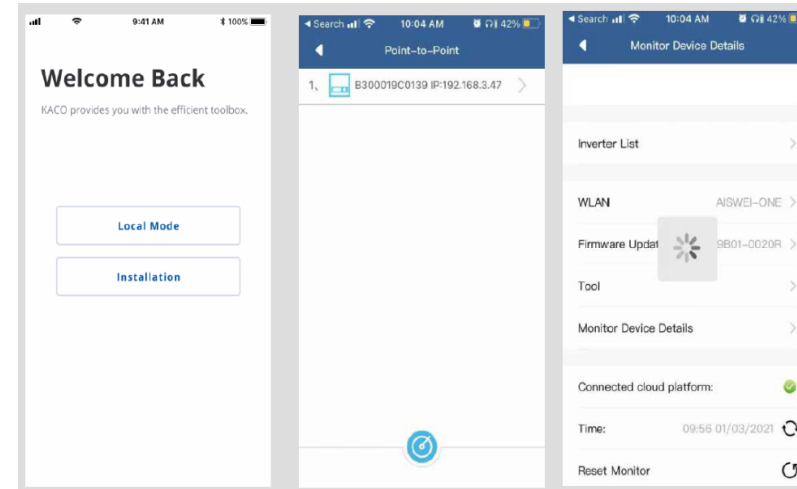


Connection area

Monitoring registration blueplanet 3.0 - 5.0 NX1 M2

Installation & Commissioning app

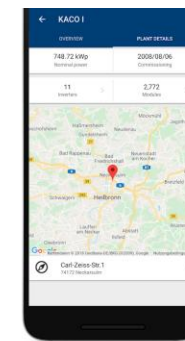
- Simple APP for installtion & commissioning
- Works only in local mode with password protection
- Connect via WiFi
- Possible to print parameter report at end of commissioning



Monitoring APP - blueplanet web

- Continue use of existing KACO blueplanet web app
- Connects directly via WiFi
- Standard registration via the [blueplanet web public](#)

Monitoring your most important key performance indicators



Detailed view of
your plants

Monitoring your most important key performance indicators



Certificate overview

blueplanet 3.0 - 5.0 NX1 M2

Country	Standards stated on certificate (planned*)
all	IEC 62109-1; IEC 62109-2
all	EN 61000-6-2/6-1, 61000-6-3/6-4, 61000-4-7, 61000-3-3/-11, 61000-3-2/-12, 62920, EN 55011:2018
all	IEC 62116, IEC 61727, IEC 61683
Austria	TOR Erzeuger Typ A: 2019
Belgium	C10/11:2019
Bulgaria	EN 50549-1:2019, EN 50438:2013 settings for NS protection
Cyprus	EN 50549-1:2019, deviations according to Cyprus LV 2018
Czech Republic	EN50549-1 report with the deviation report
Denmark	VDE-AR-N 4105:2018-11
France	VDE 0126, UTE C15-712-1; VFR19
Germany	VDE-AR-N-4105:2018
Great Britain	G98/1-4 2019 / G99/1
Latvia	EN 50549-1:2019
Lithuania	EN 50549-1:2019
Estonia	EN 50549-1:2019

Country	Standards stated on certificate (planned*)
Greece	EN 50549-1:2019
Hungary	EN 50549-1:2019
Israel	AS 4777, SI 4777:2008
Italy	CEI 0-21:2019
Jordan	G98/1-4 2019
Netherlands	EN 50549-1:2019
Poland	PN EN 50549-1:2019, settings of EN 50438:2013 according to IRiESD:2018
Portugal	NP EN 50549-1:2019
Spain	RD699/2011, UNE 206007-1: 2013
Switzerland	VDE-AR-N 4105:2018-11, NA/EEA-NE7 - CH 2020
Turkey	EN50549-1 report with the deviation report
Sweden	EN 50549-1:2019
Finnland	EN 50549-1:2019
Croatia	EN 50549-1:2019
Romania	EN 50549-1:2019
Slovenia	EN 50549-1:2019
all	IEC 60068-2-1, 2-2, 2-14, 2-30

blueplanet

K A C O 

Thank you for
your attention.

KACO new energy GmbH
A Siemens Company

Werner-von-Siemens-Allee 1
D-74172 Neckarsulm
kaco-newenergy.com